



nucleartechnology®

EDITOR:

ROY G. POST

Department of Nuclear Engineering
University of Arizona
Tucson, Arizona 85721

ASSOCIATE EDITOR:

KARL WIRTZ

Kernforschungszentrum Karlsruhe
Institut für Neutronenphysik und Reaktortechnik
75 Karlsruhe, Postfach 3640, Germany

VOLUME 23

July, August, September 1974

AMERICAN NUCLEAR SOCIETY

244 EAST OGDEN AVENUE • HINSDALE, ILLINOIS 60521 USA

A CONTINUOUS IN-LINE MONITOR FOR UF₆ ENRICHMENT

INSTRUMENTS

T. D. REILLY, E. R. MARTIN, J. L. PARKER,
L. G. SPEIR, and R. B. WALTON
*University of California, Nuclear Analysis Research Group
Los Alamos Scientific Laboratory, Los Alamos, New Mexico 87544*

KEYWORDS: uranium hexafluoride, uranium-235, uranium-234, gaseous diffusion process, radiometric analysis, solid scintillation detectors, gamma spectroscopy

Received February 7, 1974
Accepted for Publication April 15, 1974

A system has been developed to measure continuously the ²³⁵U and ²³⁴U enrichment in the UF₆ product of a gaseous diffusion plant. The measurements are made on liquid UF₆ prior to withdrawal into product cylinders. The ²³⁵U enrichment is measured to a relative accuracy of 0.5% at two sigma by counting the 185.7-keV gamma ray from ²³⁵U with an NaI detector. The ²³⁴U enrichment is measured with a neutron detector counting (α,n) neutrons from UF₆. The neutron system can measure either ²³⁴U enrichment directly or ²³⁵U enrichment indirectly (for low-enriched uranium, 2 to 5% ²³⁵U, the two enrichments are nearly proportional). The accuracy of the neutron measurement is 2.5% at two sigma. The gamma and neutron measurements are independent and could be used singly if only one isotope were desired. Both are required to measure ²³⁵U and ²³⁴U enrichment. The system is presently installed at the Goodyear Atomic Corporation gaseous diffusion plant in Piketon, Ohio.

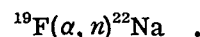
GENERAL DESCRIPTION

The UF₆ enrichment monitor is a system to measure continuously the enrichment of ²³⁵U and ²³⁴U in the UF₆ product of a gaseous diffusion plant [enrichment is defined here as (mass ²³⁵U/mass U) × 100% and (mass ²³⁴U/mass U) × 100%]. The measurements are made on liquid UF₆ prior to withdrawal into product cylinders. The system is presently installed at the Goodyear Atomic Corporation gaseous diffusion plant in Piketon, Ohio. It will be used for process enrichment control and criticality control, to guarantee that

highly enriched UF₆ is not withdrawn into a low-enrichment cylinder.

The major gamma radiation from ²³⁵U is at 185.7 keV. For a sample of constant volume the intensity of this radiation is proportional to ²³⁵U enrichment.^{1,2} An NaI scintillator detects the 185-keV gamma rays, and two single-channel analyzers (SCAs) are used to strip these events from the background.

There are two major components of the neutron signal from UF₆. Alpha particles from uranium (mostly ²³⁴U) react with fluorine to produce fast neutrons,



For a fixed mass of UF₆, this signal is proportional to the ²³⁴U enrichment. The other neutron source is ²³⁸U, through spontaneous fission and (α,n) reactions. The ²³⁸U signal is about equal to the ²³⁴U (α,n) signal in normally enriched UF₆. This represents a background to the ²³⁴U enrichment measurement. The neutron yield of UF₆ can be approximated by the expression^{3,4}

$$n/\text{sec gU} = 5.76 I_4 + 0.0285$$

where I_4 is the percent ²³⁴U.

For low-enriched uranium (2 to 5% ²³⁵U), the ²³⁵U enrichment is almost directly proportional to the ²³⁴U enrichment.⁵ In this region the neutron signal can be used as an indirect measurement of ²³⁵U enrichment. At higher enrichments the proportionality breaks down and the neutron signal can only give ²³⁴U enrichment. The neutron system can be operated to output either ²³⁴U enrichment (the direct measurement) or ²³⁵U enrichment (assuming ²³⁵U tracks ²³⁴U) by a simple change in the calibration constants used for the enrichment computation. At present the system at Goodyear is set up to compute ²³⁵U enrichment, since this is the parameter of interest to the withdrawal station

operators. In this mode the two detectors (gamma and neutron) provide duplicate measurements of ^{235}U enrichment. A single detector could provide this measurement. The ^{234}U enrichment is of particular interest for nuclear safeguards, and in the near future the neutron calibration will be changed to compute ^{234}U directly. Both detectors are required to measure the two isotope enrichments.

Figure 1 shows a block diagram of the system. The sample chambers and detectors are located in the extended range product (ERP) withdrawal station at Goodyear. This assembly was connected to the existing withdrawal line, and a control valve was added to direct the UF_6 flow through the instrument line. An elevated vapor bypass provides a low-resistance path for vapor bubbles which may form in the UF_6 . The vapor bypass should normally be empty and the measurement loop must be full in order to get a meaningful answer. Although not indicated in this figure, sufficient valves and vent lines have been added so that the instrument

loop can be isolated from the rest of the system without interfering with product withdrawal.

Pulses from the gamma and neutron detectors are amplified and fed to the control-arithmetic unit. The unit scales these pulses for a set time period of 2, 5, or 10 min. At the end of each count period, it computes the percent ^{235}U and percent ^{234}U from the accumulated count and predetermined calibration constants. Scaler counts, time-of-day, and the computed enrichments are displayed on the front panel and printed as a continuous record on the teletype. The gamma and neutron sections are electrically separate but are contained in one chassis.

If the computed enrichment goes above or below preset limits, the control unit issues a high or low alarm. These alarms are front panel lights and rear panel switch closures to drive other warning systems and operate valves (e.g., the block valve would be closed on high alarm to stop UF_6 withdrawal).

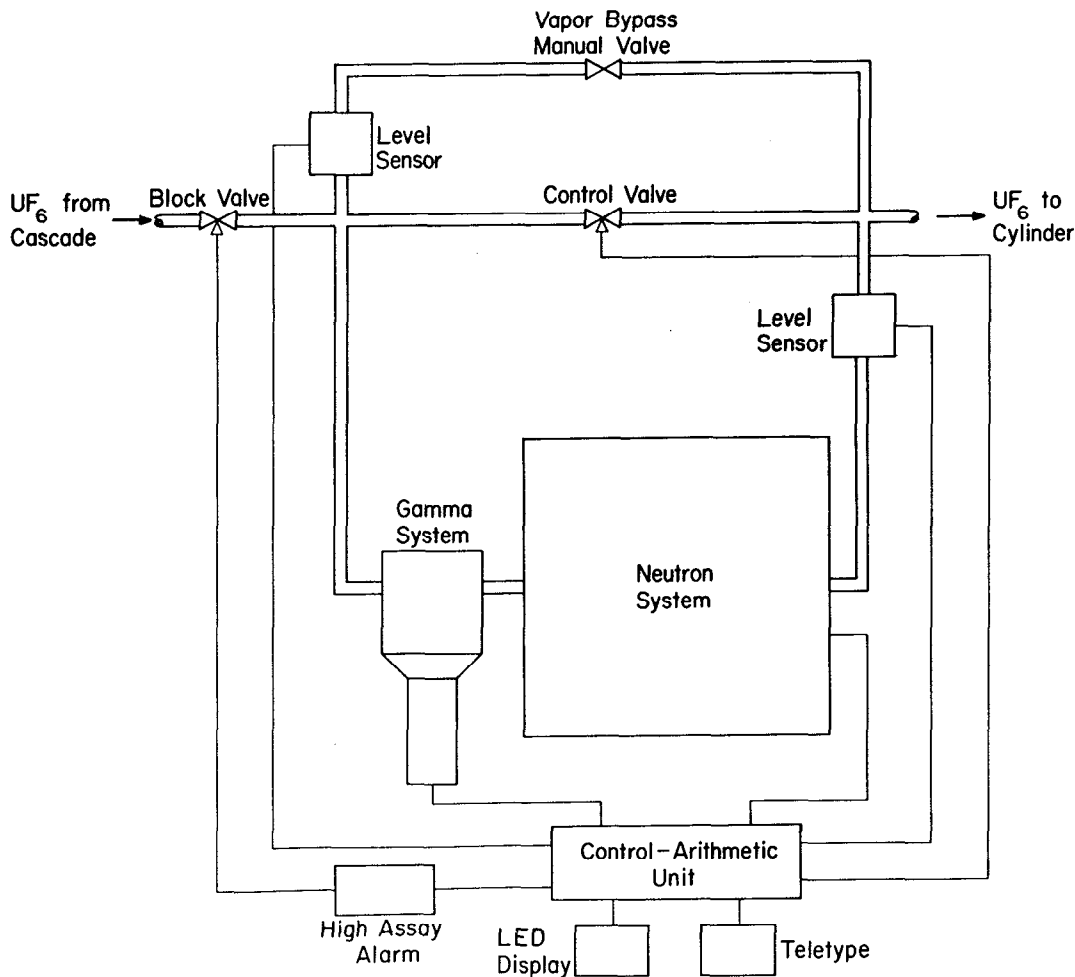


Fig. 1. UF_6 enrichment monitor block diagram.

DETECTORS AND ELECTRONICS

To define the fixed volume required for the gamma-ray measurement, the UF₆ flows through a circular chamber viewed by the NaI detector. Figure 2 shows the gamma chamber, detector, and associated lead shielding. The heater and insulation are required to keep the UF₆ in the liquid state. The detector is a 5.1-cm-long × 1.3-cm-thick NaI scintillation detector. A 0.23-cm-thick cadmium absorber is used to suppress the undesirable low-energy x-ray portion of the uranium spectrum. A 4-μCi ²⁴¹Am gamma source is glued to the face of the detector to provide a constant reference peak (59.5 keV) for electronic gain stabilization. The gross rate from this source is ~6000 pulse/sec. The crystal experiences daily temperature variations of 10°C and even greater seasonal variations. A 10°C increase in the detector temperature causes about a 6% drop in gain;

the stabilizer compensates for this change, giving no measurable change in the peak count rate or the computed enrichment.

The activity in the 185.7-keV line is measured with two single-channel analyzers, one set over the peak (130 to 230 keV) and the other set above the peak (240 to 340 keV), to provide a correction for the Compton background from higher energy gamma rays. The activity in these two windows is scaled and analyzed in an arithmetic-control unit designed for this system.⁶ It scales the activity and computes the ²³⁵U enrichment from the expression

$$\% \text{ } ^{235}\text{U} = A \cdot C1 - B \cdot C2 \quad , \quad (1)$$

where *A* and *B* are calibration constants and *C1* and *C2* are the observed count rates. The calibration constants are determined from mass spectrometer data and are set by front-panel

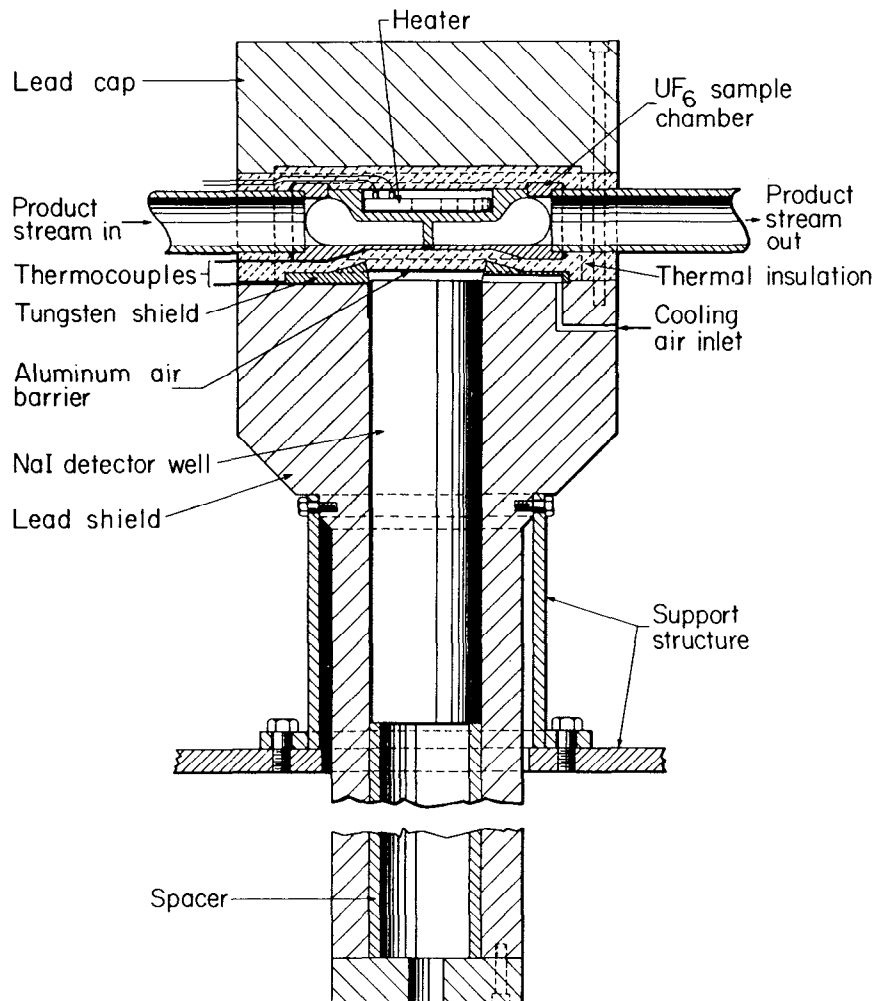


Fig. 2. Gamma-enrichment meter—schematic diagram of detector and shield assembly.

thumbwheel switches. The computed enrichment is displayed on front panel LEDs and printed on a teletype.

A block diagram of the system electronics is shown in Fig. 3. All electronics, except the control-arithmetic unit and the preamplifiers, fit in one standard NIM bin. The bin and the control-arithmetic unit are located in a small rack cabinet with covers to limit access to important controls (Figs. 4 and 5). The electronics cabinet and teletype are in an air-conditioned instrument room near the withdrawal station.

Figure 6 shows a schematic drawing of the neutron sample chamber, the neutron detector, and the shield assembly. The detector surrounds a fixed mass of UF₆ defined by a 30-cm-long × 7.6-cm-diam pipe section in the UF₆ stream. This detector consists of 16 ³He proportional counters in a polyethylene moderator and is surrounded by ~12.7 cm of polyethylene shielding to reduce the background from the nearby UF₆ product cylinder. The efficiency of this detector for neutrons originating in the UF₆ sample chamber is ~20%. Neutron pulses from the detector are amplified and scaled in the arithmetic-control unit. The section of the control unit that analyzes the neutron activity scales neutron pulses and computes either ²³⁴U enrichment or ²³⁵U enrichment from the expression

$$\% \text{ } ^{234}\text{U} \text{ or } \% \text{ } ^{235}\text{U} = D \cdot C3 - E \quad , \quad (2)$$

where *D* and *E* are calibration constants and *C3* is the observed neutron activity. The computed enrichment is displayed on LEDs, printed on the teletype, and compared with preset limits to determine if an alarm condition exists. The neutron and gamma sections are independent except that they share the same count interval. Figure 7 shows the completed detector assembly prior to installation.

PERFORMANCE AND CALIBRATION

Gamma-Ray System

The ²³⁵U enrichment in UF₆ in the instrument loop must be accurately known to calibrate this system. The instrument loop cannot be sampled directly, so calibration data come from routine mass spectrometer samples taken from the gas stream ahead of the in-line monitor. If the assay (²³⁵U enrichment) of the withdrawal stream is changing, there will be a time delay between the change at the gas withdrawal points and the change at the instrument loop and cylinder pigtail. This delay is a function of the volume of material between the two points and the flow rate; it can be as large as 30 to 60 min. In view of this, calibration data are obtained when the withdrawal assay is running relatively constant so that the gas samples can be expected to reflect accurately the assay of material in the instrument loop.

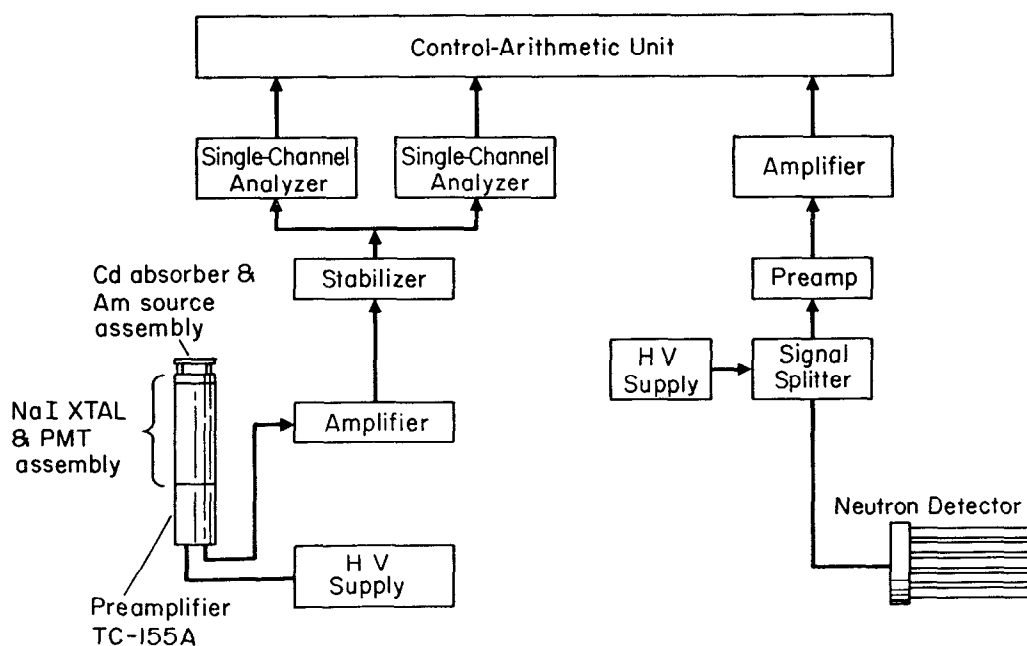


Fig. 3. System electronics block diagram.

The response of the gamma system is assumed to follow Eq. (1). To accurately determine *A* and *B*, 20 calibration points were measured over a three-week period (Aug. 11 to Sep. 2, 1973). Each point involved three numbers, the ²³⁵U enrichment as determined by the laboratory analysis of a routine UF₆ sample, and values of *C*₁ and *C*₂ taken as the average of six 10-min counts immediately following the withdrawal of the laboratory sample. These points were least-squares fit to the assay equation to determine the best estimates of the parameters *A* and *B*. Using these parameters, the standard deviation of the relative difference between the gamma assay (% ²³⁵U) and the laboratory sample analysis for all 67 samples in this three-week period is ~0.25%. This indicates very good

agreement between the gamma-enrichment meter and the laboratory sample analysis. Figure 8 shows a graph of gamma enrichment versus laboratory sample for a six-day period. Gamma measurements are plotted every 3 h for legibility; measurements are taken every 10 min. This illustrates the excellent agreement between the two measurements.

The present calibration indicates a net ²³⁵U signal of ~277 counts/sec per % ²³⁵U. The background is ~160 counts/sec but is variable. Most of this background comes from a plating of nonvolatile ²³⁸U daughter products on the walls of the gamma chamber. The gamma-ray activity results from the decay of ^{234m}Pa which follows ²³⁴Th in the ²³⁸U decay chain. The UF₆ alone presents a very clean

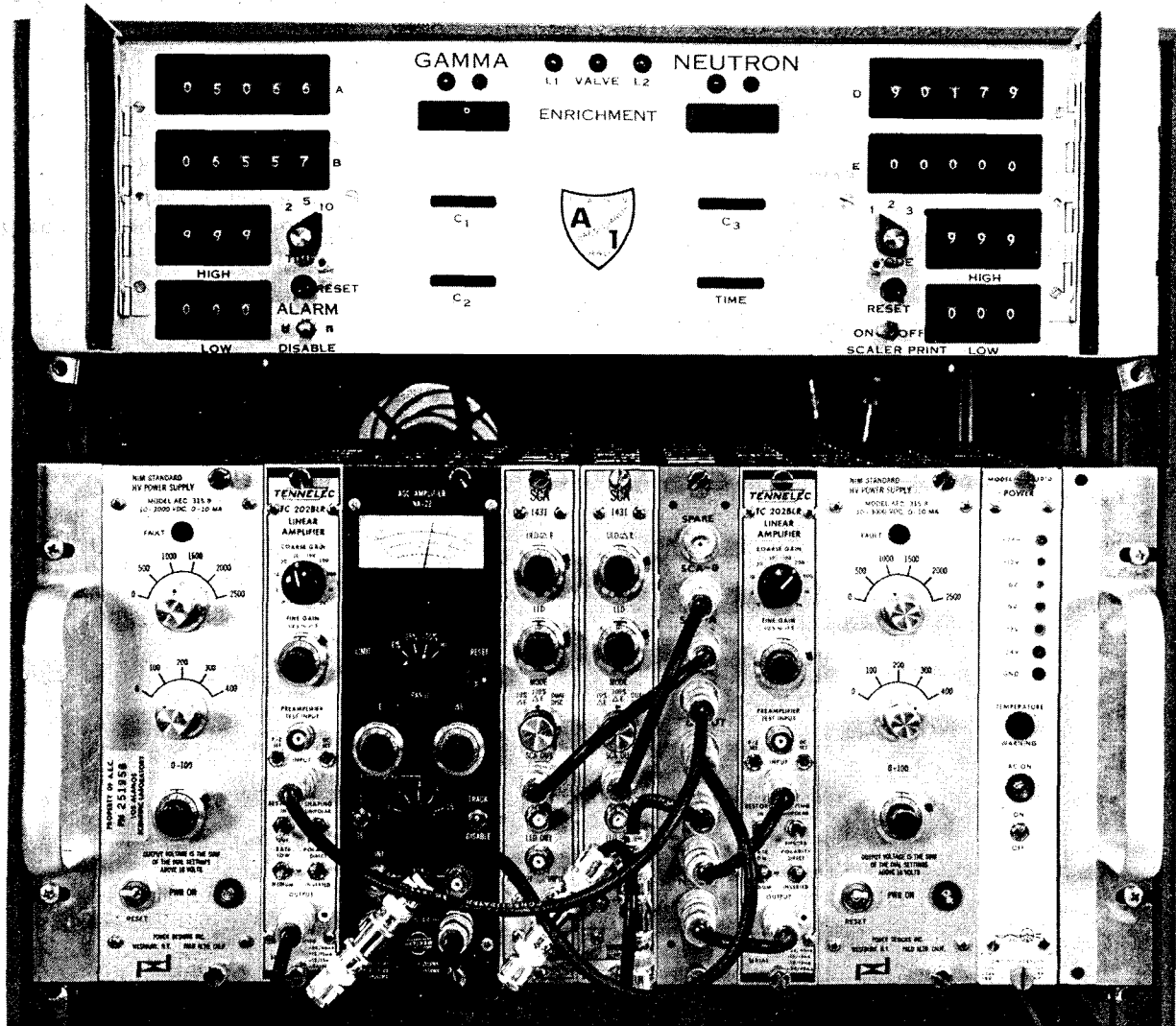


Fig. 4. Electronics cabinet with protective covers removed.

meter
figure 8
is lab-
gamma
ibility;
his il-
he two

²³⁵U sig-
ground
of this
volatile
gamma
from
he ²³⁸U
clean

signal for analysis, since most of the daughter products have been removed in the diffusion process. The background is fairly large and varies with time. In particular, it increases significantly whenever the withdrawal stops and a UF₆ freezeout occurs in the instrument loop (some freezeout seems to occur whenever the UF₆ flow is stopped). This daughter product plating occurs on all system piping. It represents a minute amount of material, $\sim 10^{-9}$ g ²³⁴Th/month. During the first three months of operation the background count rate rose from <10 counts/sec to an equilibrium value of about 160 counts/sec (the time scale is determined by the 24-day half-life of ²³⁴Th). While the background may increase considerably during periods of interrupted flow, it returns to the equilibrium value when flow is resumed. This varying background does not affect the computed ²³⁵U enrichment as it is subtracted out by the high energy SCA. Once calibrated, the gamma system

has operated very stably with little need for re-calibration.

Neutron System

The response of the neutron counter is assumed to follow Eq. (2). As explained earlier the neutron system can output either ²³⁴U enrichment (the directly measured quantity) or ²³⁵U enrichment (assuming ²³⁵U is directly proportional to ²³⁴U). Goodyear has chosen the latter mode of operation at present. To date, the calibration and evaluation of the neutron measurement have been based on a correlation of the neutron signal with ²³⁵U enrichment, as determined by mass spectrometry of routine UF₆ samples. Nevertheless, because of the near proportionality of ²³⁵U and ²³⁴U, the direct ²³⁴U measurement will exhibit similar accuracy to the indirect ²³⁵U measurement.

The assay equation can be rewritten

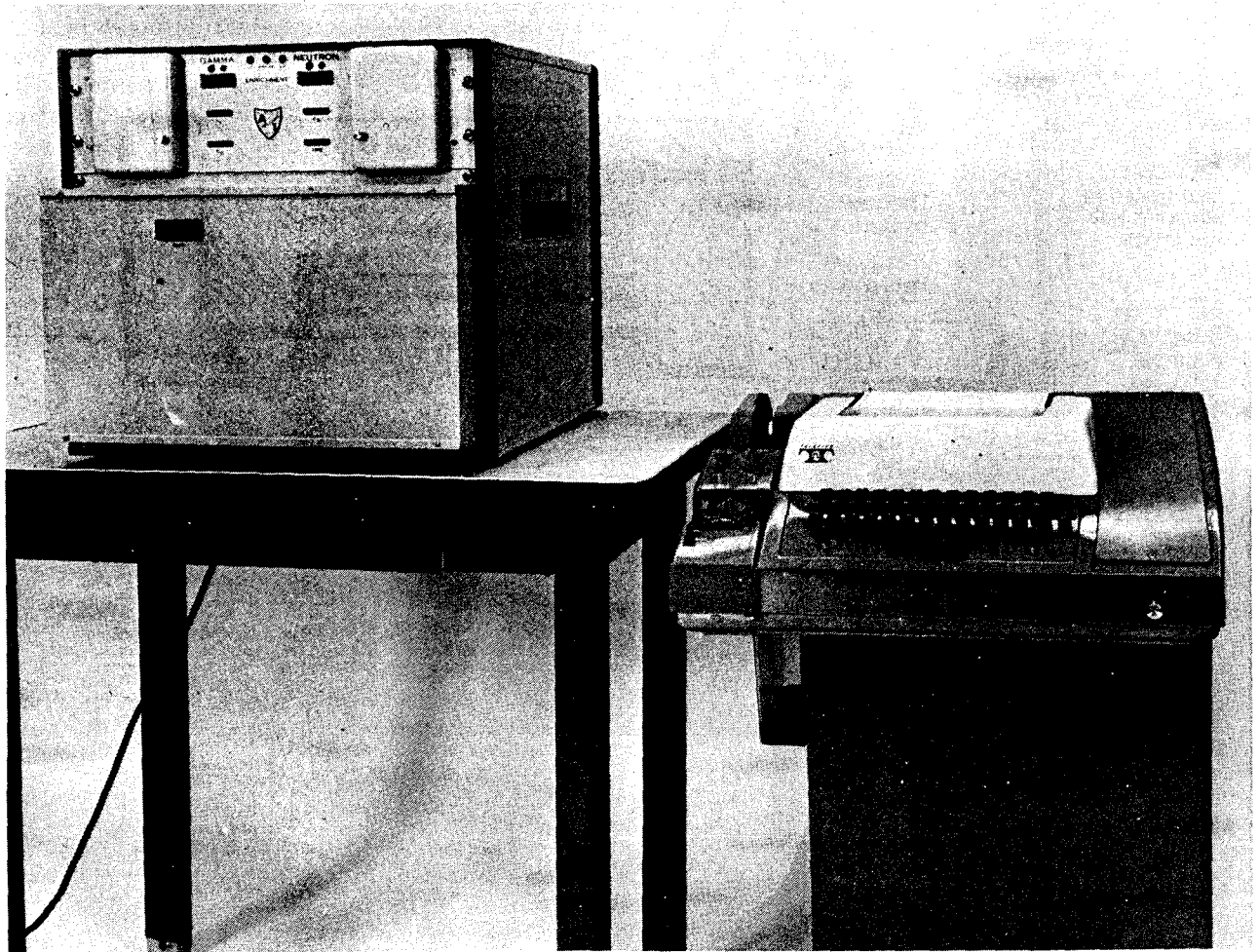


Fig. 5. UF₆ enrichment monitor—electronics cabinet and teletype printout.

$$\% \text{ } ^{235}\text{U} = D \cdot (C3 - E/D) ,$$

where E/D represents the ambient room background and the background from ^{238}U in the chamber. This number is independent of ^{235}U and should remain constant except for a variation in the ambient background with cylinder fill weight. In the present location the detector is about 3 ft from the filling product cylinder which is the major source of ambient background. As the cylinder fills, the background varies from ~650 to 1750 counts/10 min. This variation represents an uncertainty in the neutron assay of $\sim\pm 0.03\%$ ^{235}U . The total neutron signal from 3% enriched material is ~ 70 000 counts/10 min.

Over 100 calibration points were determined during a four-week period in June and July 1973. These points and selected subsets thereof were least-squares fit to the assay equation to determine values of D and E . It was assumed that the large number of points included measurements at all

stages of cylinder filling so that the fit gave an average over variations in the ambient background. For short periods (≈ 1 week), the standard deviation of the relative difference between the neutron assay and the laboratory sample was observed to be $\sim 1.3\%$. This is consistent with the limit set by counting statistics and the variability of the ambient background ($\sim 1.1\%$). For longer periods, the agreement is not as good because the assumption of direct proportionality between ^{235}U and ^{234}U is not strictly correct. The ratio, $^{235}\text{U}/^{234}\text{U}$, will vary slightly as the operating parameters of the cascade change. In a one-month period, this ratio was observed to drift over a range of 7%. Based on available information, even larger changes can be expected. The neutron calibration (for the indirect ^{235}U measurement) must be checked and adjusted frequently to account for such changes. Obviously, the direct ^{234}U enrichment measurement does not suffer from this problem.

The assay expression, Eq. (2), ignores any

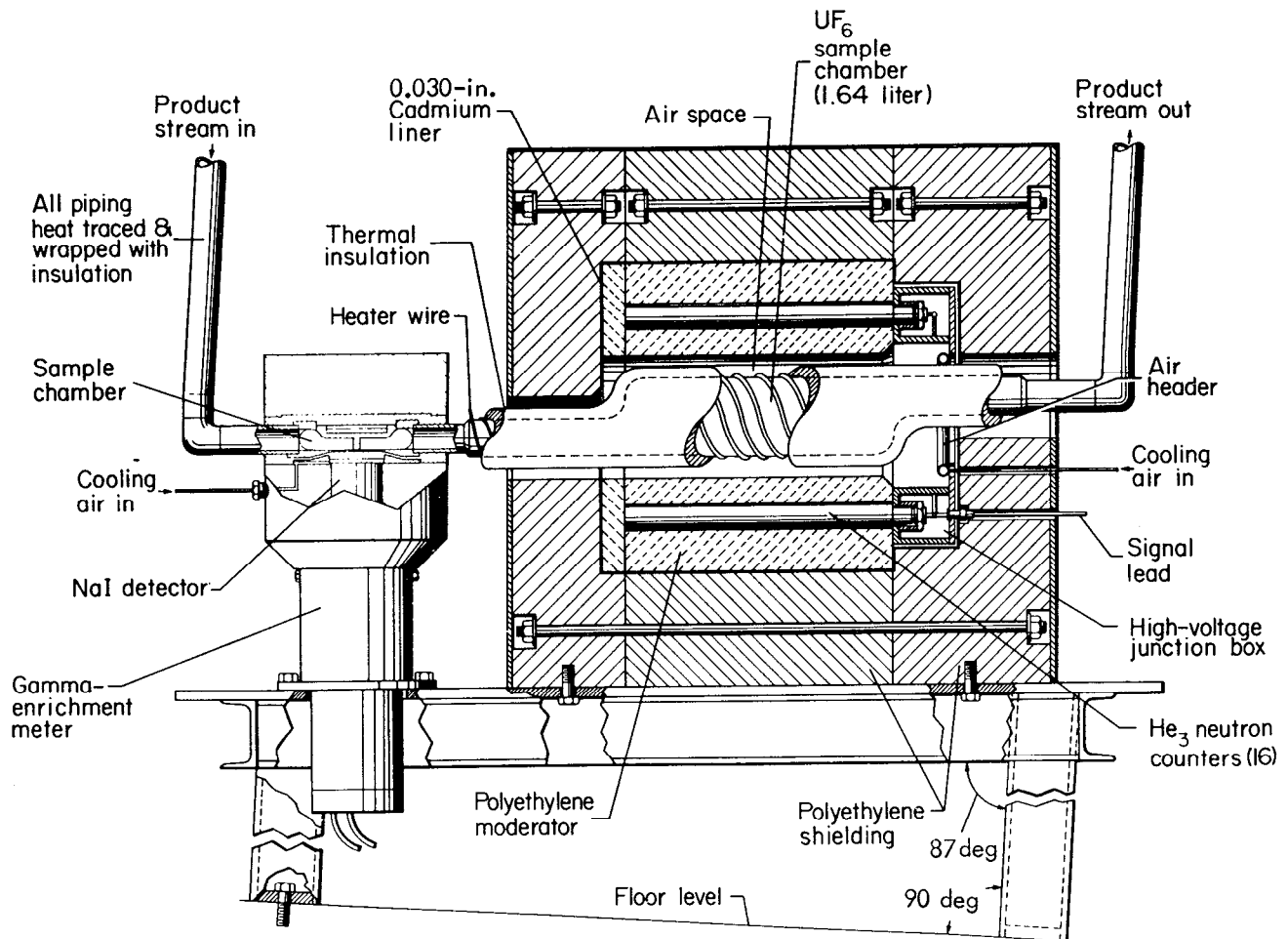


Fig. 6. UF₆ enrichment monitor—schematic diagram of gamma spectrometer and neutron detector with shield assemblies. Though provisions were made for air cooling the detectors, tests later indicated that this was not necessary. The diameter of the neutron shield assembly is 61 cm.

multiplication effects in the counter. These were estimated with a Monte Carlo neutron transport code. This analysis gave the ratio of neutron counts from 5% (²³⁵U) material to that from 1% material as 5.33 ± 0.06 , showing the magnitude of the error made by assuming a linear equation for percent ²³⁴U. This effect can be greatly reduced (with a loss in detection efficiency) by adding a thin sheet of cadmium between the detector and the neutron sample chamber.

CONCLUSIONS

In summary, both parts of the in-line UF₆ monitor function reliably and exhibit precisions consistent with counting statistics. The accuracy is good as is illustrated in Table I. This shows a comparison of laboratory samples (mass spectrometry) with the corresponding in-line measurements (gamma and neutron) during a six-day period. The laboratory analysis was taken to be the true ²³⁵U concentration, and the fractional standard deviation between this and the measured enrichment was computed. If the neutron portion of the system is set to compute ²³⁴U enrichment, a similar (or slightly better) accuracy will obtain.

As stated earlier both parts of the system are required to measure both isotopes. If, however, only one isotope were desired, a single detector could be used (gamma for ²³⁵U or neutron for ²³⁴U).

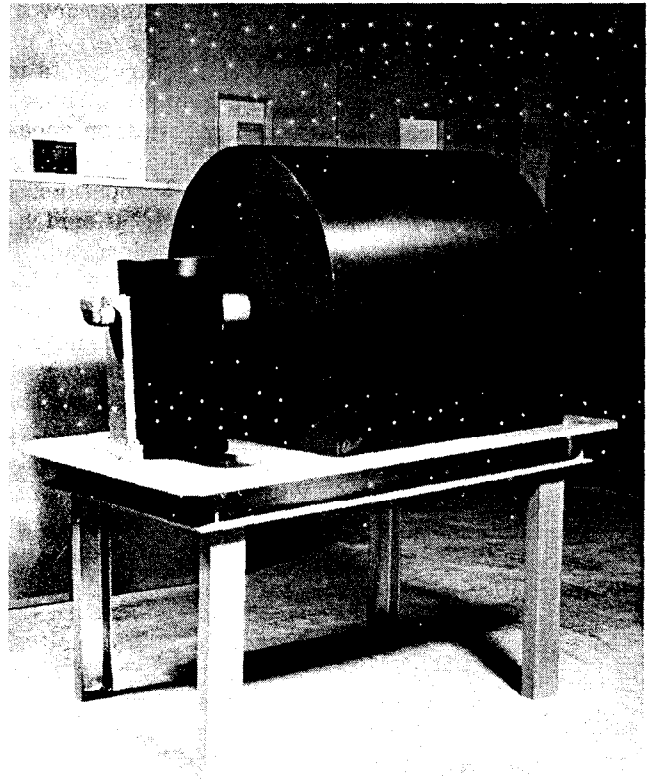


Fig. 7. Detector assembly prior to installation. Gamma detector is on left, neutron detector on right.

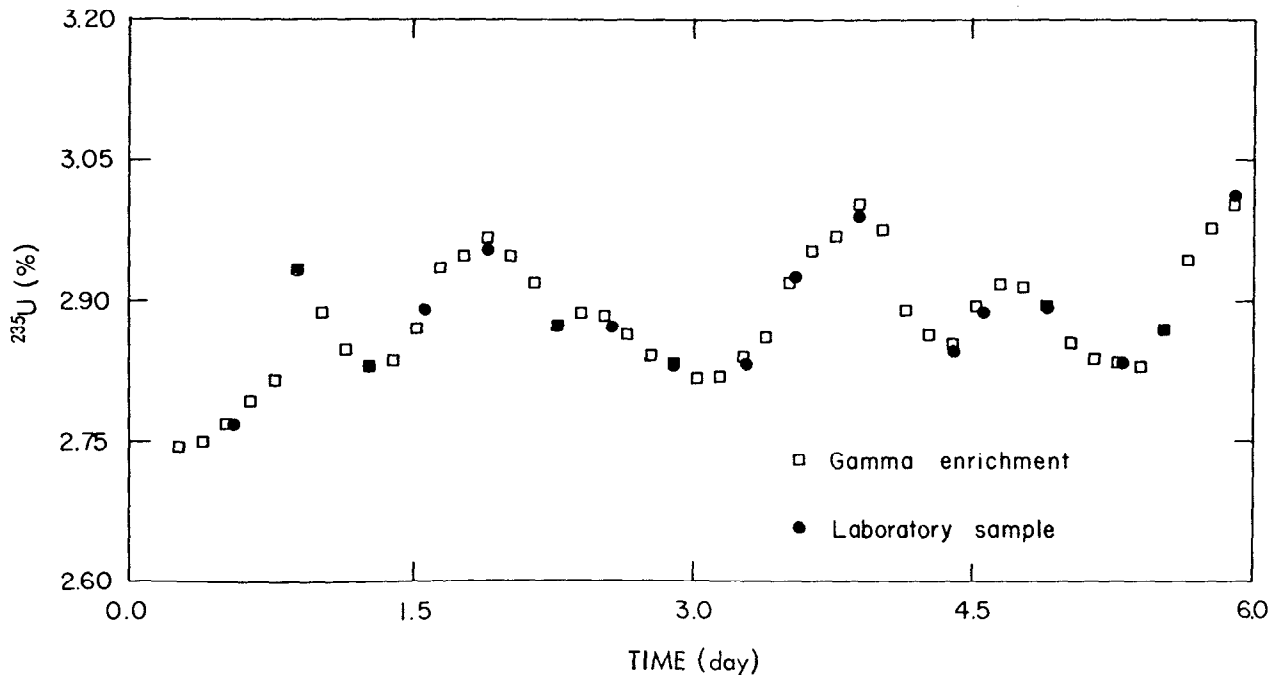


Fig. 8. Comparison of gamma-enrichment measurements with percent ²³⁵U as determined from routine laboratory samples. The points which appear as black squares indicate the two measurements overlap.

The gamma spectrometer exhibits an accuracy of ~0.5% (relative) at the 95% confidence level. This is sufficient for process control requirements in addition to criticality safety requirements. Though it has not been checked directly, the neutron spectrometer should measure ²³⁴U enrichment with an accuracy of better than 2.5% at the 95% confidence level. The indirect measurement of ²³⁵U enrichment with this device has a similar accuracy if the instrument is recalibrated often to account for changes in the ²³⁵U/²³⁴U ratio. This ratio has been observed to vary over 7%, and larger variations can be expected. Because of wide variations in the ²³⁵U/²³⁴U ratio for ²³⁵U enrichments above 5%, neutron counting cannot be used for the quantitative assay of ²³⁵U. It can be used over the complete range of ²³⁴U enrichment. While the gamma system is optimized for low-enriched materials, it can cover the full enrichment range with very few modifications.

The gamma system can be used to measure the ²³⁵U concentration (mass ²³⁵U/volume of solution) of many uranium process solutions. Such a system is being designed for in-line measurements at the Los Alamos Scientific Laboratory uranium recovery plant. In the present application, the gamma spectrum is very simple. In other poten-

tial applications, interferences may exist which prohibit the use of NaI detectors [e.g., at a fuel reprocessing plant ²³⁷U (208 keV) in the product UF₆ will mask the ²³⁵U (185 keV) signature]. In such situations the use of a high-resolution Ge(Li) detector will alleviate the problem and should result in performance equal to that exhibited here. The accuracy exhibited by the gamma system is somewhat unique at this state in the development of nondestructive assay instrumentation. It approaches or equals that available in many destructive analytic techniques, and it offers a continuous measurement of the entire product output.

ACKNOWLEDGMENTS

The authors wish to thank J. W. Woolsey and L. R. Cowder for much of the construction and testing. T. R. Van Lyssel built the arithmetic-control unit. D. B. Smith helped with the system calibration, and R. A. Forster performed the Monte Carlo calculations of neutron multiplication. Particular thanks go to Harold MacFarland and Jack Feuerbacher of Goodyear Atomic for their help with system installation and data collection.

This work was performed under the auspices of the U.S. Atomic Energy Commission.

TABLE I
Comparison of Mass Spectrometer Sample Analysis (% ²³⁵U) with In-Line Measurement (gamma and neutron) During One Six-Day Period

Sample	Gamma	(Gamma - Sample)/Sample	Neutron	(Neutron - Sample)/Sample
2.869	2.871	0.0008	2.824	-0.0157
3.013	3.009	-0.0011	2.982	-0.0103
2.790	2.789	-0.0002	2.759	-0.0111
2.898	2.900	0.0006	2.862	-0.0124
2.911	2.910	0.0003	2.894	-0.0058
2.919	2.921	0.0006	2.911	-0.0027
2.946	2.940	-0.0020	2.972	0.0088
2.969	2.974	0.0016	2.975	0.0020
2.964	2.965	0.0003	2.953	-0.0037
2.817	2.813	-0.0015	2.765	-0.0184
2.819	2.825	0.0020	2.767	-0.0184
2.833	2.824	-0.0031	2.776	-0.0201
2.870	2.862	-0.0028	2.874	0.0014
2.888	2.891	0.0010	2.868	-0.0069
2.905	2.904	-0.0004	2.911	0.0021
3.176	3.181	0.0014	3.230	0.0170
3.072	3.079	0.0024	3.127	0.0179
3.073	3.076	0.0009	3.130	0.0185
		mean = 0.00004 sigma = 0.0016		mean = -0.003 sigma = 0.013

REFERENCES

1. T. D. REILLY, R. B. WALTON, and J. L. PARKER, LA-4605-MS, pp. 19-21, Los Alamos Scientific Laboratory (1970).
2. C. N. JACKSON, Jr., HW-83427, Hanford-Washington (1964).
3. T. E. SAMPSON, Los Alamos Scientific Laboratory, Private Communication (to be published).
4. T. D. REILLY, J. L. PARKER, A. E. EVANS, and R. B. WALTON, LA-4794-MS, pp. 16-19, Los Alamos Scientific Laboratory (1971).
5. R. B. WALTON, T. D. REILLY, J. L. PARKER, J. H. MENZEL, E. D. MARSHALL, and L. W. FIELDS, *Nucl. Technol.*, **21**, 133 (1974).
6. E. R. MARTIN and T. R. VAN LYSSEL, "Arithmetic Box for Enrichment Meter and Neutron Assay Instruments," LA-5394-MS, Los Alamos Scientific Laboratory (1973).